

Z+1 Pro (Gen 3)

Extension Kit for an Additional Monitor



General Specifications

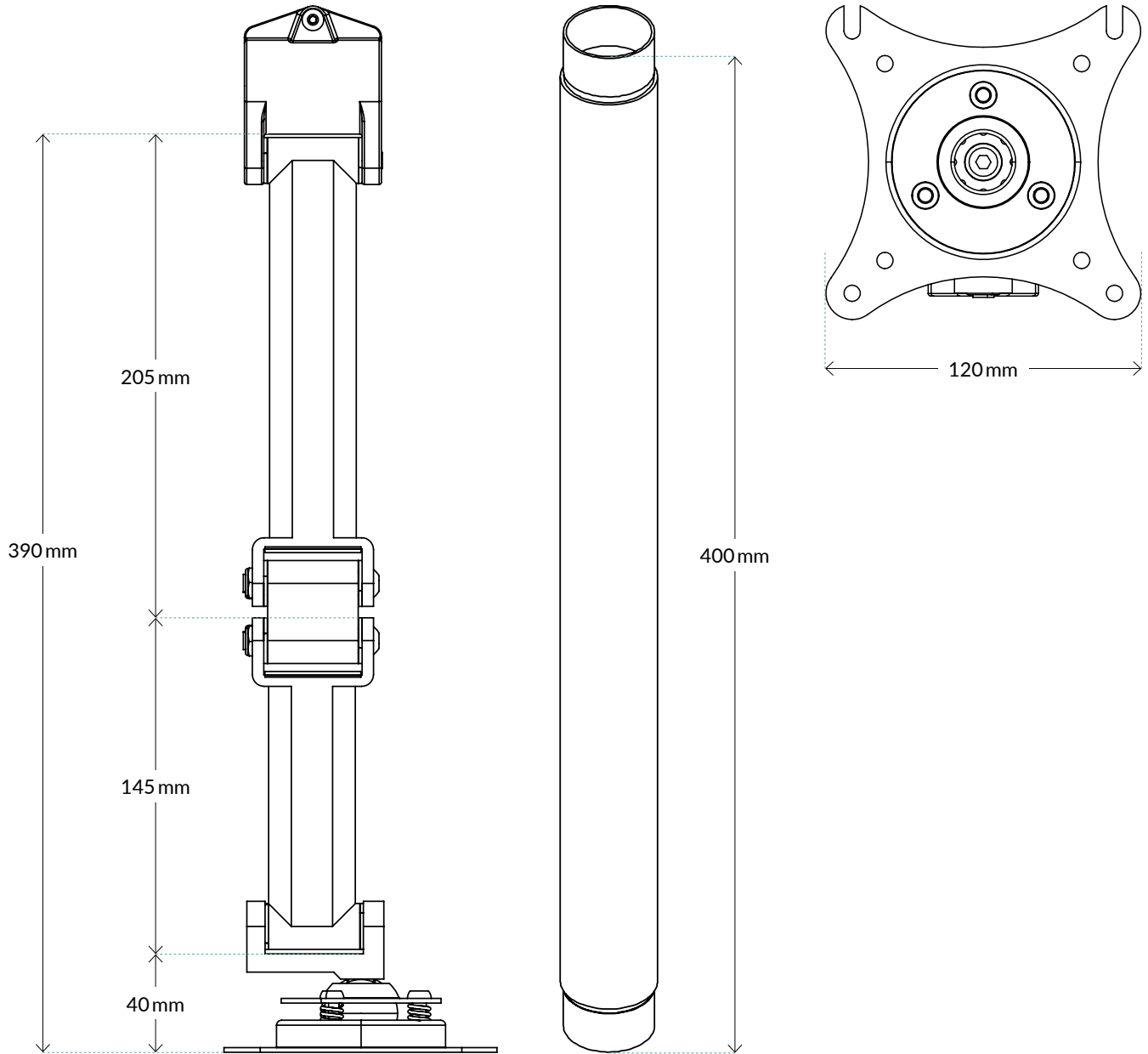
Supported Screen Size	≤ 34" / ≤ 38" Ultrawide Monitor
VESA Standard	VESA 75 (75x75) VESA 100 (100x100)
Maximum Monitor Weight	15 kg 33 lbs
Rotation	360°
Swivel	180°
Tilt	+/-15°
Material	Steel, Aluminum Alloy ADC12
Weight	1.9 kg
Colour	Black
Compatible with ARCTIC Monitor Arms	Z1 Pro (Gen2+3), Z2 Pro (Gen2+3), Z3 Pro (Gen 3), Z1-3D, Z1-3D (Gen 3), Z2-3D, Z2-3D (Gen 3)

Shipping Information

Box Dimensions	426 (L) x 130 (W) x 80 (H) mm
Gross Weight	2300 g
SKU	AEMNT00055A
EAN	4895213702423
UPC	840033400312
Package Content	Z+1 Pro (Gen 3) x1 Installation Kit x1

Z+1 Pro (Gen 3)

Extension Kit for an Additional Monitor



All materials are compatible with RoHS requirements.

MORE INFORMATION



MANUALS

