

Z2-3D (Gen 3)

Desk Mount Gas Spring Dual Monitor Arm



General Specifications

Supported Screen Size	≤ 34"/≤ 34" Ultrawide Monitor
Maximum Monitor Width*	820 mm
VESA Standard	VESA 75 (75x75) VESA 100 (100x100)
Maximum Monitor Weight	8 kg 17.6 lbs
Rotation	360°
Swivel	180°
Tilt	+/-15°
Material	Steel, Aluminum Alloy ADC12
Weight	4.7 kg
Colour	Matt Black
Tabletop Thickness**	20 to 65 mm
Extensions	ARCTIC Z+1 Pro, ARCTIC Z+2 Pro, ARCTIC Z+1 Pro (Gen 3), ARCTIC Z+2 Pro (Gen 3)

*This specification applies when using two monitors of equal width and in horizontal orientation.

**For desks using a Honeycomb-structure or Sandwich-structure with hollow pockets, we recommend adding a stiffening board to prevent clamp damage on the tabletop.

USB Hub

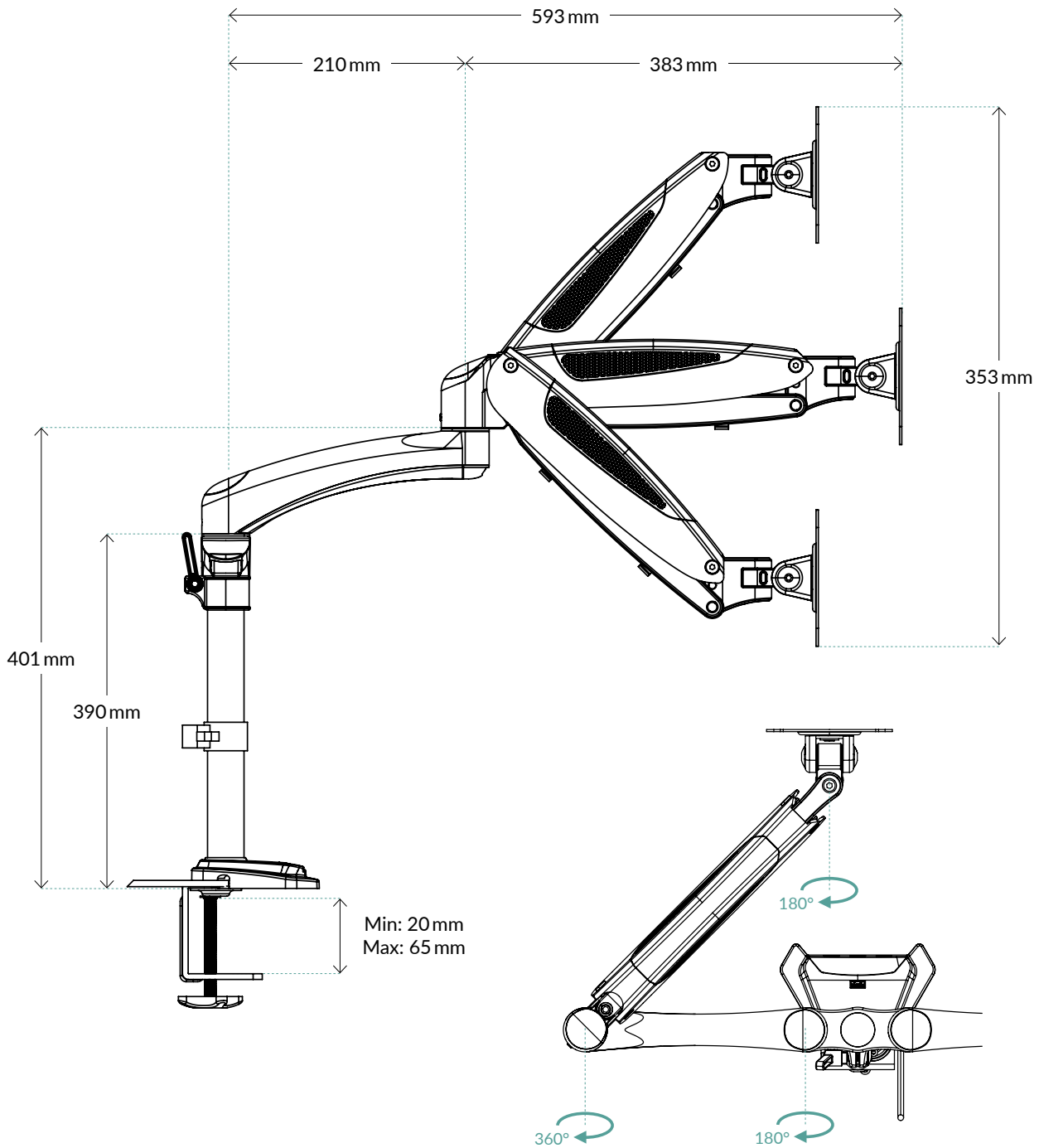
Ports	4x USB 3.2 Gen 1, 1x DC Power Jack Input
Power Output	Without Power Supply: 5 V DC 900 mA Port, Max. 900 mA With Power Supply: 5 V DC 900 mA Port, Max. 2900 mA
Compatibility	Windows, macOS, Linux
Cable Length	2 m

Shipping Information

Box Dimensions	440 (L) x 193 (W) x 168 (H) mm
Gross Weight	5700 g
SKU	AEMNT00057A
EAN	4895213701785
UPC	872767009714
Package Content	Z2-3D (Gen 3) x1 Installation Kit x1

Z2-3D (Gen 3)

Desk Mount Gas Spring Dual Monitor Arm



All materials are compatible with RoHS requirements.

MORE INFORMATION



MANUALS

