



CPU LIQUID COOLER

Pyramid

240 mm / 360 mm
LCAZ-240Y-ARGB LCAZ-360Y-ARGB

USER MANUAL

2023-11 Version

SPECIFICATIONS

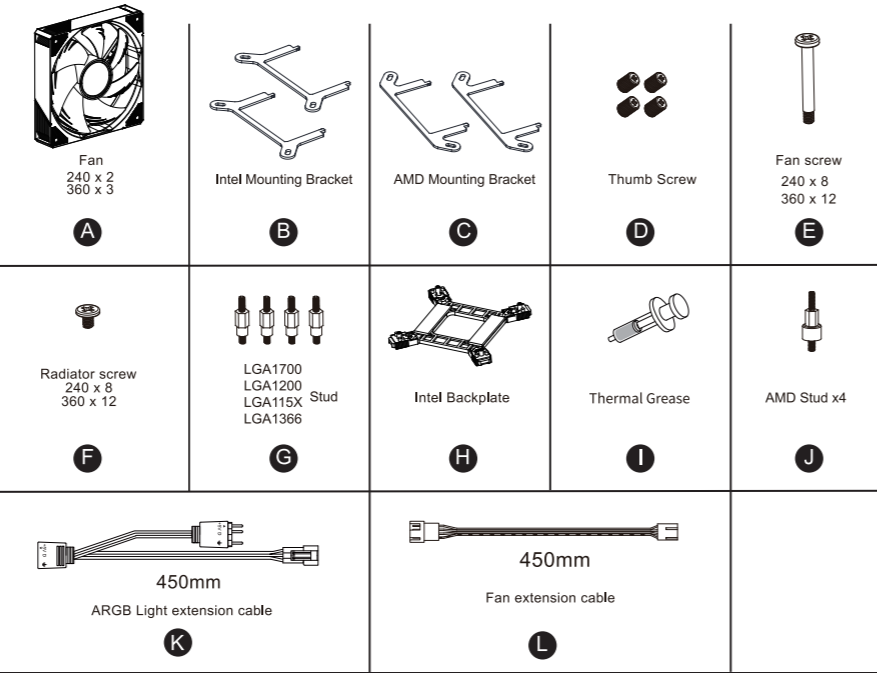
Model Name	Pyramid 240
Model No.	LCAZ-240Y-ARGB
Dimensions	120 x 120 x 25mm
Speed	500±100~2000±10% RPM
Bearing Type	Hydro Bearing
Rating voltage(Fan)	DC 12.0V
Rating current(Fan)	0.28A
Power consumption(Fan)	3.36W
Rating voltage(Lights)	DC 5.0V
Rating current(Lights)	0.36A(Max)
Power consumption(Lights)	1.8W
Airflow	57.5CFM
Air Pressure	1.8mmH2O
Noise	34 dB (A)
Lifespan	20000 hours at 25°C
ARGB Connector	SM2,54-3Pin(Female) to SM2,54-3Pin(Male)
Power Connector	2510-4Pin(Female) to 2510-4Pin(Male)
Dimensions	284x121x35,0mm
Material	Aluminium alloy

Water Block	Dimensions	70,0x85,0x78,5mm
	ARGB Connector	5V ADD-HEADER(Female) to ADD-HEADER(Male)
	Rating voltage(Lights)	DC 5,0V
	Rating current(Lights)	0,72A(Max)
	Power consumption(Lights)	3,6W
Pump	Pump Type	Radiator built-in pump
	Connector	2510-3Pin
	Bearing type	Zirconia ceramic bearings
	Rating voltage	DC 12,0V
	Rating current	0,38A
	Power consumption	4,56W
	Speed	4000±10% RPM
	Water Pressure	1,5 mH2O
	Flow Rate	96 L/h
	Motor Type	3-Phases brushless DC motor
	Lifespan	50000h
	Noise	<25dB (A)
Tube	Dimensions	400mm
	Material	EPDM+Rayon mesh
Socket Compatibility	Intel Socket	LGA115X/LGA1366/LGA1200/LGA1700/LGA1851
	AMD Socket	AM5/AM4/AM3+/AM3/AM2+/AM2/FM2+/FM2/FM1

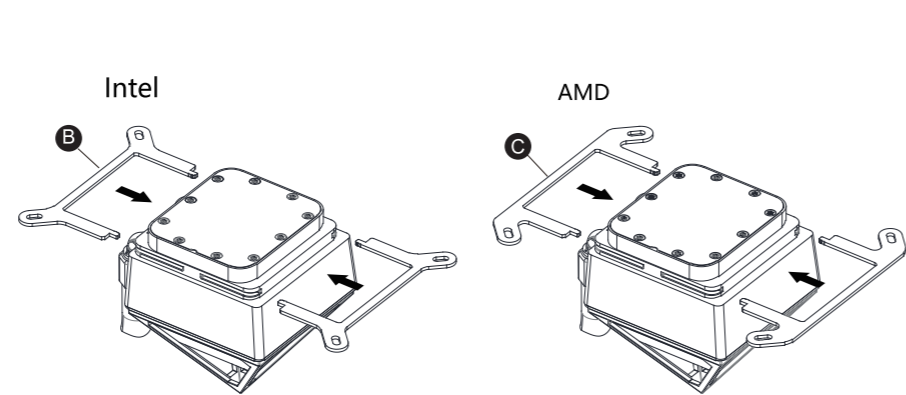
Model Name	Pyramid 360
Model No.	LCAZ-360Y-ARGB
Dimensions	120 x 120 x 25mm
Speed	500±100~2000±10% RPM
Bearing Type	Hydro Bearing
Rating voltage(Fan)	DC 12.0V
Rating current(Fan)	0.28A
Power consumption(Fan)	3.36W
Rating voltage(Lights)	DC 5.0V
Rating current(Lights)	0.36A(Max)
Power consumption(Lights)	1.8W
Airflow	57.5CFM
Air Pressure	1.8mmH2O
Noise	34 dB (A)
Lifespan	20000 hours at 25°C
ARGB Connector	SM2,54-3Pin(Female) to SM2,54-3Pin(Male)
Power Connector	2510-4Pin(Female) to 2510-4Pin(Male)
Dimensions	404x121x35,0mm
Material	Aluminium alloy

Water Block	Dimensions	70,0x85,0x78,5mm
	ARGB Connector	5V ADD-HEADER(Female) to ADD-HEADER(Male)
	Rating voltage(Lights)	DC 5,0V
	Rating current(Lights)	0,72A(Max)
	Power consumption(Lights)	3,6W
Pump	Pump Type	Radiator built-in pump
	Connector	2510-3Pin
	Bearing type	Zirconia ceramic bearings
	Rating voltage	DC 12,0V
	Rating current	0,38A
	Power consumption	4,56W
	Speed	4000±10% RPM
	Water Pressure	1,5 mH2O
	Flow Rate	96 L/h
	Motor Type	3-Phases brushless DC motor
	Lifespan	50000h
	Noise	<25dB (A)
Tube	Dimensions	400mm
	Material	EPDM+Rayon mesh
Socket Compatibility	Intel Socket	LGA115X/LGA1366/LGA1200/LGA1700/LGA1851
	AMD Socket	AM5/AM4/AM3+/AM3/AM2+/AM2/FM2+/FM2/FM1

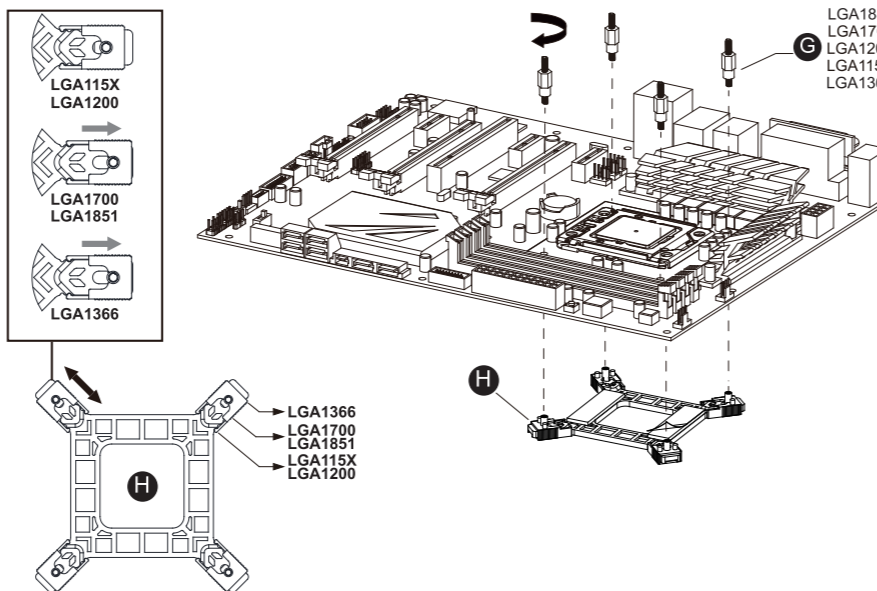
INSTALL CONTENTS



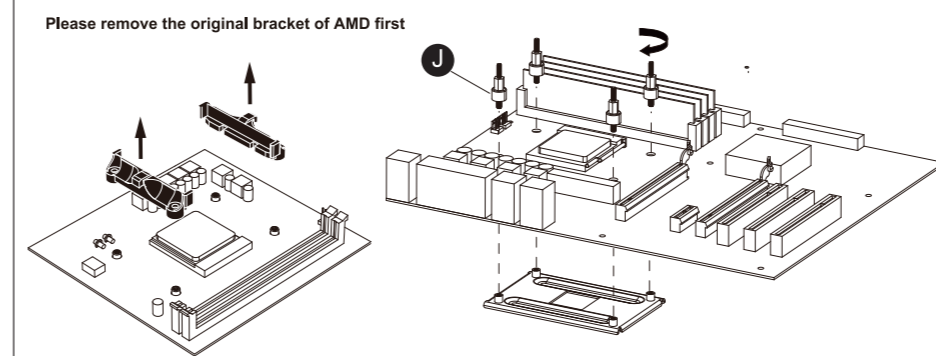
PREPARATION



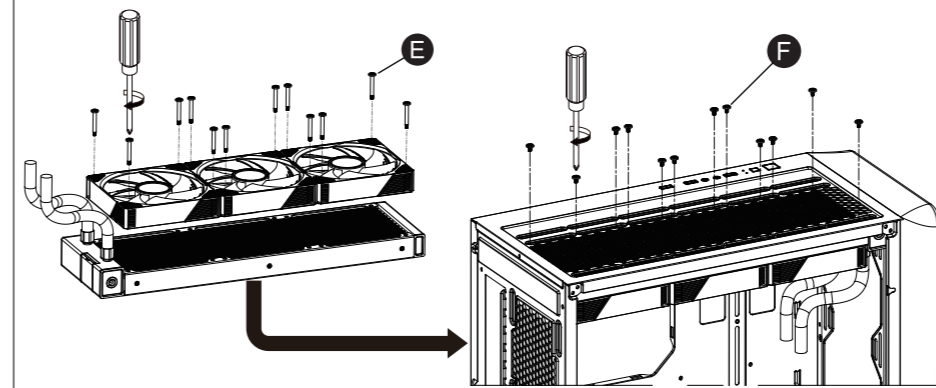
Intel LGA1851 / LGA1700 / 115X / LGA1200 / LGA1366



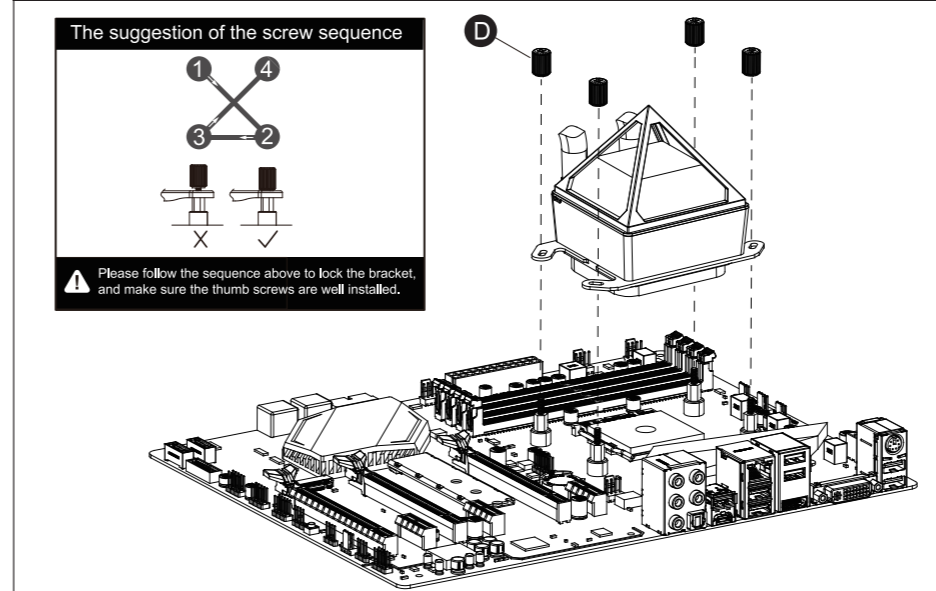
AMD AM5/AM4/AM3+/AM3/AM2+/AM2/FM2+/FM2/FM1



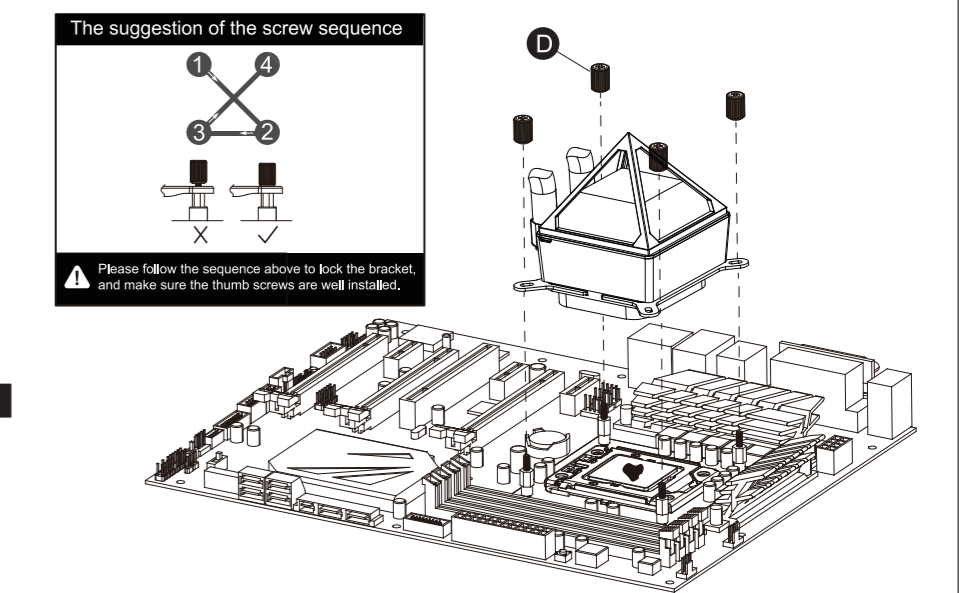
INSTALLATION



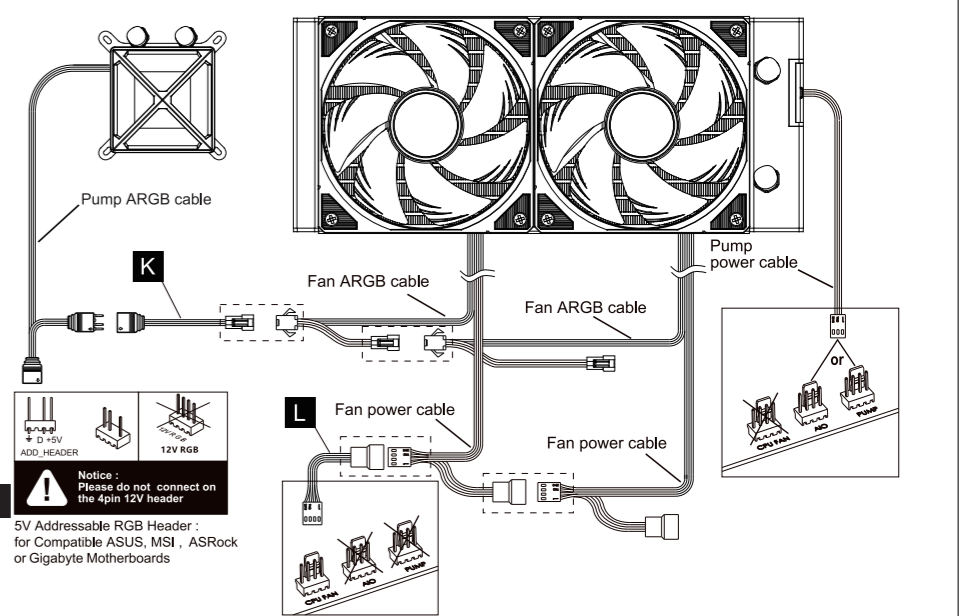
AMD AM5/AM4/AM3+/AM3/AM2+/AM2/FM2+/FM2/FM1



Intel LGA1851 / LGA1700 / 115X / LGA1200 / LGA1366



ARGB Motherboard Connection



- Matters needing attention:
1. Please connect the ARGB port to the ARGB controller.
 2. The power port of water-cooling head must be connected to AIO PUMP port, otherwise it will seriously affect the performance.
 3. If there is not AIO PUMP port, plug into the system fan port and set the port fan mode to PWM mode.

