



# FIDOM

GAMING SWIVEL RECLINER ROCKER SOFA

## STAY COMFORTABLE, STAY IN THE GAME

舒适自在 尽情畅玩, 舒适自在 尽情畅玩

Sit on the Fidom gaming sofa and be comfortable with breathable imitation linen upholstery. With its rocker, recliner, and swivel capabilities, it's ready to adapt to your every move, ensuring you stay at the top of your game. Crafted for durability and complete with a lumbar pillow, and side storage pocket, the Fidom is your ultimate gaming companion.

乘坐 Fidom 旋轉搖椅沙發上, 享受透氣仿亞麻布料帶來的舒適體驗。具備搖擺、傾仰和旋轉功能, 完美適應每個坐姿與位置, 確保在遊戲中保持領先。不僅採用經久耐用的材質, 更配備腰枕與方便的側邊儲物袋, 是你不可或缺的游戏伙伴。

乘坐 Fidom 旋轉搖椅沙發上, 享受透氣仿亞麻布料帶來的舒適體驗。具備搖擺、傾仰和旋轉功能, 完美適應每個坐姿與位置, 確保在遊戲中保持領先。不僅採用經久耐用的材質, 更配備腰枕與方便的側邊儲物袋, 是你不可或缺的遊戲夥伴。

## FEATURES 产品特点, 產品特點

### ENGLISH

- Versatile functionality: rocker, recliner, and swivel.
- Built on breathable imitation linen upholstery.
- High-density thicker sponge padding for enhanced comfort.
- Convenient side storage pocket.

### ESPAÑOL

- Funcionalidad versátil: balancearse, inclinarse y girar.
- Construida sobre tapizado imitación lino transpirable.
- Acolchado de esponja más grueso de alta densidad para mayor comodidad.
- Práctico bolsillo de almacenamiento lateral.

### DEUTSCH

- Vielseitige Funktionalität: Schaukeln, Zurücklehnen und Drehen.
- Gebaut auf einer atmungsaktiven Polsterung aus Leinenimitat.
- Hochdichte, dickere Schwammpolsterung für mehr Komfort.
- Praktische seitliche Aufbewahrungstasche.

### KOREAN

- 다양한 기능: 흔들기, 기대기, 회전.
- 통기성이 뛰어난 모조 리넨 실내 장식용으로 제작되었습니다.
- 더욱 두꺼운 고밀도 스펀지 패딩으로 편안함이 향상되었습니다.
- 편리한 측면 수납 포켓.

### 日本語

- 多彩な機能: ロックリクライニング、スィベル。
- 通気性のある模造リネン張り地を使用しています。
- 高密度で厚いスポンジパッドにより快適性が向上します。
- 便利なサイド収納ポケット。

### 簡中

- 具備豐富功能性: 搖擺、傾仰和旋轉
- 選用透氣舒適的仿亞麻布料
- 高密度加厚海綿襯墊增強舒適度
- 方便的側邊儲物袋

### 繁中

- 具備豐富功能性: 搖擺、傾仰和旋轉
- 選用透氣舒適的仿亞麻布料
- 高密度加厚海綿襯墊增強舒適度
- 方便的側邊儲物袋

### PORTUGUÊS

- Funcionalidade versátil: balançar, reclinar e girar.
- Construído em estofamento de imitação de linho respirável.
- Estofamento de esponja mais espesso de alta densidade para maior conforto.
- Bolso de armazenamento lateral conveniente.

### РУССКИЙ

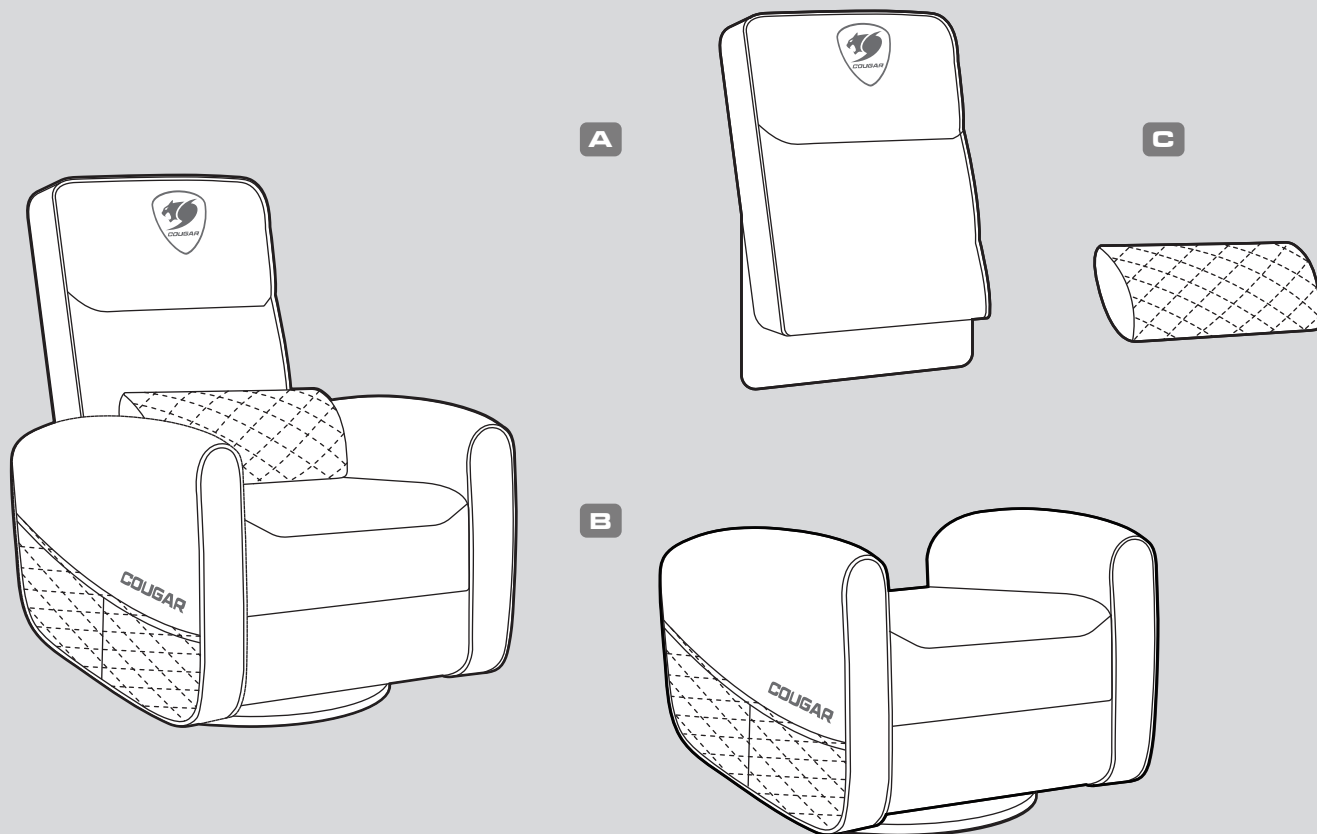
- Универсальная функциональность: качание, откидывание и поворот.
- Построен на дышащей обивке из искусственного льна.
- Утолщенная губчатая набивка высокой плотности для повышенного комфорта.
- Удобный боковой карман для хранения.

### FRANÇAIS

- Fonctionnalité polyvalente : basculer, incliner et pivoter.
- Construit sur un revêtement respirant en imitation lin.
- Rembourrage en éponge plus épais haute densité pour un confort amélioré.
- Poche de rangement latérale pratique.

## ASSEMBLY DRAWING

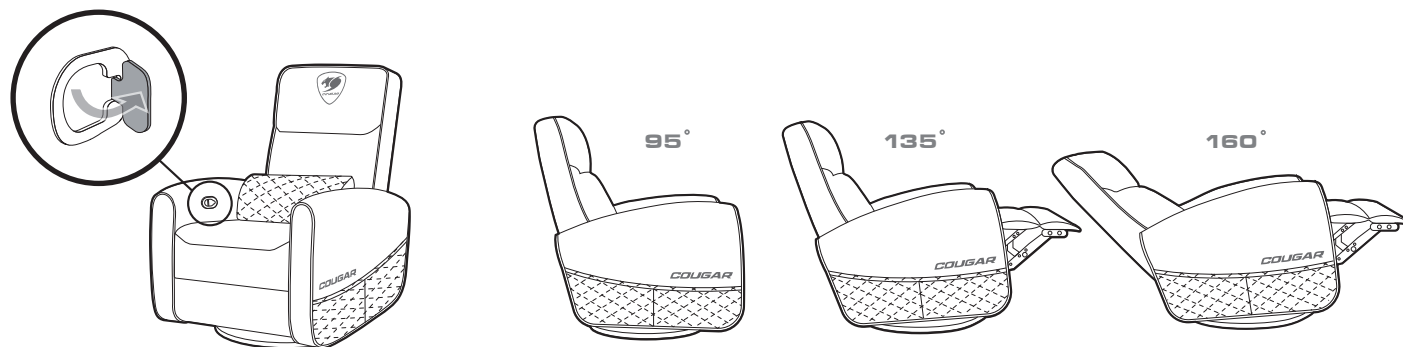
部件圖示, 部件圖示



## Recliner system 95° / 135° / 160°

傾躺系統 95° / 135° / 160°

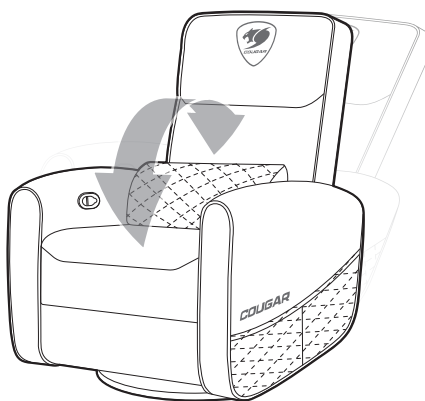
傾躺系統 95° / 135° / 160°



## Rocker Function

前後搖動功能

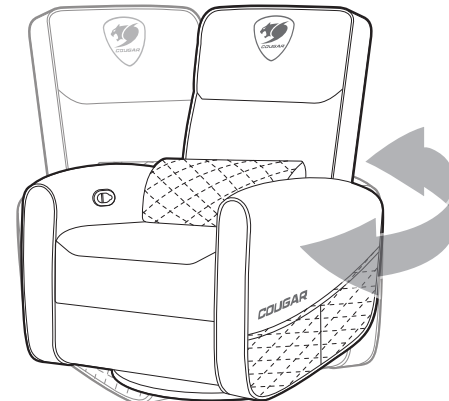
前後搖動功能



## 360° Swivel Function

360° 旋轉功能

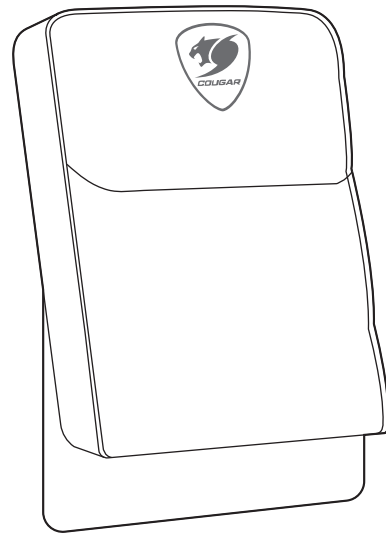
360° 旋轉功能



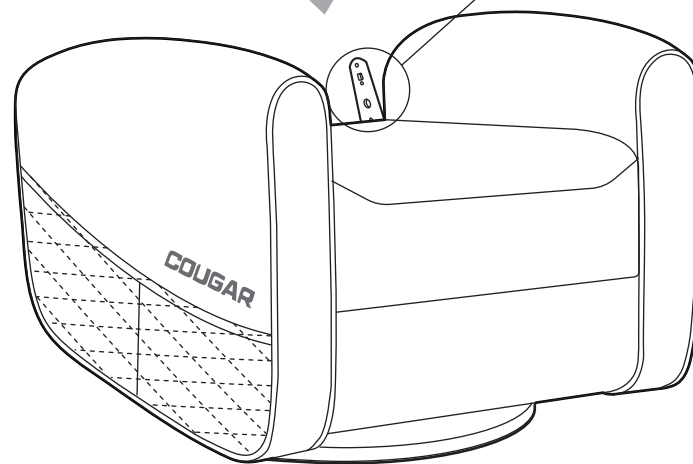
# ASSEMBLING INSTRUCTION

组裝说明, 組裝說明

A



B

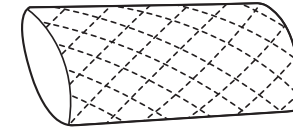


Maximum stationary weight capacity 150kg. Please do not place any body or object above 150kg on this sofa. From spaces in which it could get caught or be injured.

本产品最大承受重量150公斤。请勿将150公斤以上的物体放在沙發上。

本產品最大承受重量150公斤。請勿將150公斤以上的物體放在沙發上。

C



## GLOBAL WARRANTY POLICY 全球保固條款, 全球保固政策

### WARRANTY PERIODS OF COUGAR GAMING DEVICES

Product : COUGAR FIDOM Gaming Swivel Recliner Rocker Sofa  
Warranty : Please refer to our official website.

(<https://cougargaming.com/us/support/warranty/>)

保固政策 : 中国地区购买, 请参考中国地区官方网站。

(<http://cougargaming.com.cn/support/warranty/>)

This warranty gives you specific legal rights. You may also have other rights granted under local law. These rights may vary.

### WARRANTY AGREEMENT

- If the product has defects in material or manufacture, COUGAR will provide product repair and replacement service within the warranty period.
- Our warranty service is based on the date of the invoice or warranty card.

### CONDITIONS WHERE FREE MAINTENANCE IS NOT PROVIDED

- Any fault or damage caused by natural disasters (including storm, fire, flood, thunder, earthquake, etc).
- Any fault or damage caused by accidental factors and man-made reasons (including hit, scrape, crash, moving, compression, stain, corrosion, riot, misuse, malicious damage, etc).
- Use in an improper operating environment (including high temperature, high humidity, water inflow, etc).
- Inability to provide the product warranty card, purchase receipt or invoice to prove the product is still within the warranty period and the shipping date of the product is out of warranty.
- The warranty card has been altered or its number is hard to identify.
- The warranty period has expired.
- Any fault or damage caused by non-compliance with regulations stated on the user manual or improper, rough and careless treatment.
- Any fault or damage caused by use of parts not certified by COUGAR original manufacturer.
- The problem is caused by improper repair or adjustment by the buyer or any manufacturer without authorization from COUGAR.
- The product is not acquired from an authorized distributor of the company or is acquired from illicit sources.
- Paper carton, instruction and other accessories are not warranted.



詳細保固條件  
請掃描QR Code

### DISCLAIMERS

- COUGAR products should not be used as critical components in life support devices.
- COUGAR is not liable for any damage of life and limb or damage or loss of property caused by or during COUGAR products' use as or with medical equipment, military equipment, traffic equipment and disaster prevention systems.
- COUGAR's warranty liability is limited to repair or replacement. The decision on whether to repair or replace belongs exclusively to COUGAR.
- COUGAR is, to the extent not prohibited by law, not liable for any damages; expenses; lost data, revenues, savings or profits; or any incidental or consequential damages happened while the use of a defective product from COUGAR or due to its use.

### LEGAL NOTICES

This manual was created by Compucase Enterprise and may not be completely or partially copied, passed on, distributed or stored without written consent by Compucase Enterprise. COUGAR® is a registered brand of Compucase Enterprise. Other product and company names mentioned in this documentation may be brands or trademarks of their respective owners. Compucase Enterprise reserves the right to make changes concerning the contents of the manual and the technical data of the product without previous announcement.

### WARNING

- Only the occupant should operate it.
- This product is only suitable for one person at a time.
- Do not allow children to play on the chair or operate the mechanism.
- Be careful when extending the footrest.
- Leg rest folds down on closing so that a child could possibly be injured.
- Keep hands and feet clear of the mechanism.
- Always leave the sofa in an upright and closed position after use.
- Do not use this recliner as a step ladder or stand on it.

### ДАТА ИЗГОТОВЛЕНИЯ ПРОДУКЦИИ

год и месяц изготовления продукции указаны в серийном номере продукта. (существует 2 способа определения даты изготовления, оба способа описаны ниже)

А После S/N: первые две цифры означают год, вторые две – месяц изготовления. Например, S/N: H1702000001 означает, что товар был произведен в феврале 2017 года.

Б После S/N: если указаны буквы, то две буквы представляют цифры из таблицы ниже, и означают год, последующие две цифры – месяц изготовления.

Например, S/N: DAg02REVI000001 означает, что товар был произведен в феврале 2017 года.

A	B	C	D	E	F	G	H	I	J
1	2	3	4	5	6	7	8	9	0

• Например, AG = 17 = 2017 год

### MANUFACTURER CONTACT

制造商联系方式, 製造商聯繫方式

**COUGAR**  
www.cougargaming.com

COUGAR USA Technical Service  
Tel: (833) 256-3778  
Mail: rma@compucaseusa.com

Compucase Enterprise Co., Ltd.  
All rights reserved. Made in China

Official website



Pensez à donner ou recycler. Association ou Magasin Déchèterie  
<https://quefairemesdechets.fr>