



Cyberbron III

550W | 650W | 750W | 850W

Cyberbron III

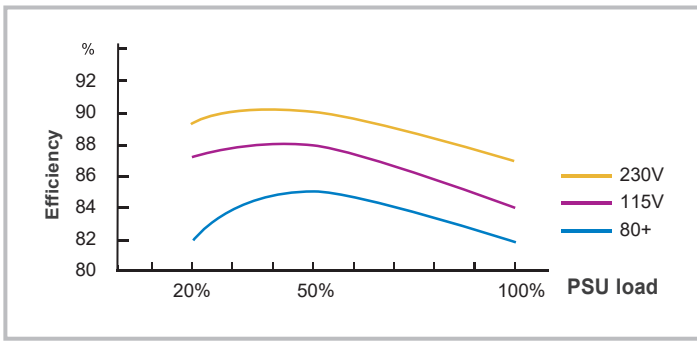


- 80 PLUS® Bronze Certified Power Supply
- Integrated with ATX 3.1
- Japanese Primary Capacitors
- DC to DC Circuit
- 120mm FDB Fan
- Non-Modular Design



Features

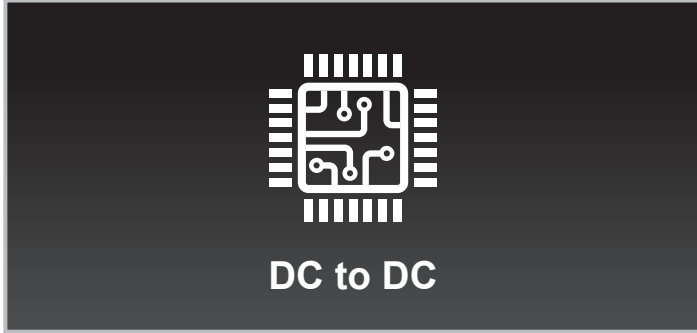
- ATX 3.1 Ready
 - 750W model offers one native 450W 12V-2x6 cable
 - 850W model offers one native 600W 12V-2x6 cable
- Efficiency
 - 80PLUS® Bronze certified with 88% efficiency @50% load
 - Efficient +5Vsb circuitry consume only under 0.5W at standby mode
- Compatibility and Easy Usage
 - Non-modular design with mesh-sleeved cables
 - Single rail +12V design can simply be installed and it can avoid shutting down from heavy usage
- Advanced Technology
 - DC to DC circuit
 - Active PFC design with PF value up to 0.99
 - Japanese Primary Capacitor
- Silent Cooling Performance
 - Equipped with 120mm FDB fan
- Safety
 - Multiple circuitry protection of OVP, UVP, OPP, SCP , OTP and OCP



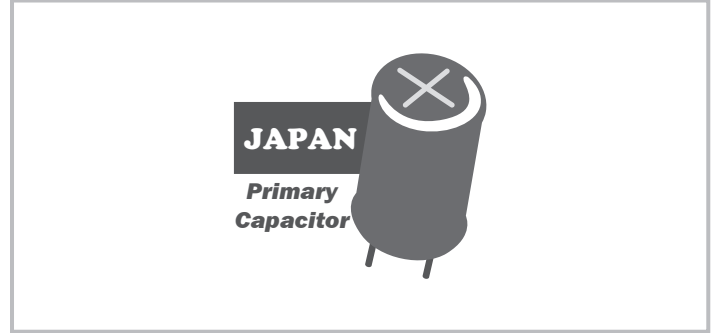
80 PLUS® Bronze Certification



Non-modular design



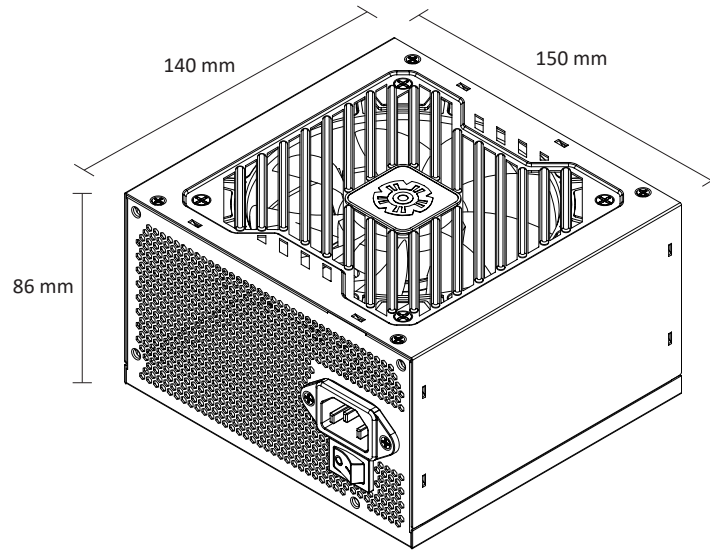
DC to DC Technology



Japanese Primary Capacitor

Dimension

Unit : mm



Cables & Connectors

Product	Total Connectors					
	Mainboard 24P	CPU 4+4P (8P)	12V-2x6 (12+4P)	PCIe 6+2P(8P)	SATA	4P Molex
550W	1	1	0	2	3	2
650W	1	2	0	2	4	2
750W	1	2	1	2	5	2
850W	1	2	1	2	6	2

General Data	
80 PLUS EFFICIENCY	Bronze
MODULAR	Non modular
CABLE TYPE	Mesh-Sleeved Cable
FAN SIZE (MM)	120
OPERATING TEMPERATURE (°C)	40
MTBF (HOURS)	>100K
PROTECTION	OVP, UVP, OPP, SCP, OTP, OCP

Power Table								
Model Name	EMB550AWT-NAC	EMB650AWT-NAC	EMB750EWT-NAC	EMB850EWT-NAC				
AC Input Voltage	100-240Vac, 50-60Hz							
AC Input Current	10-5A							
DC Output								
	Rated	Combined	Rated	Combined	Rated	Combined	Rated	Combined
+3.3V	20A	110W	20A	120W	20A	130W	20A	130W
+5V	20A		20A		20A		20A	
+12V	45A	540W	54A	648W	62A	744W	70A	840W
-12V	0.3A	3.6W	0.3A	3.6W	0.3A	3.6W	0.3A	3.6W
+5Vsb	2.5A	12.5W	2.5A	12.5W	2.5A	12.5W	2.5A	12.5W
Total Power	550W		650W		750W		850W	
Dimensions	150(W) x 86(H) x 140(D)mm							



Logistic Information					
Model	EMB550AWT-NAC	EMB650AWT-NAC	EMB750EWT-NAC	EMB850EWT-NAC	
Barcode	EAN	4713157729132	4713157729149	4713157729156	4713157729163
	UPC	819315029138	819315029145	819315029152	819315029169
Box Dimension	280 x 180 x 100 mm				
Gross Weight / Unit					
Carton Dimension	425 x 370 x 300 mm				
Q'ty / Carton	8 pcs				
Gross Weight / Carton					