



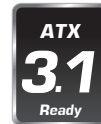
Cyber II

650W / 750W / 850W / 1000W

Cyber II

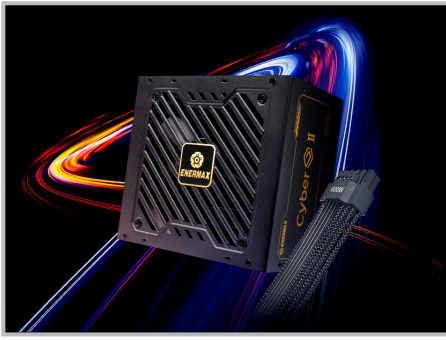


- *Integrated with Intel ATX 3.1*
- *Non-Modular 80 PLUS® Gold Certified*
- *Offering a 600W 12V-2x6 cable*
- *Industrial-Grade 100% Japanese Capacitors*
- *120mm Sleeve Bearing Fan*
- *All Black Flat Cable Design*



Features

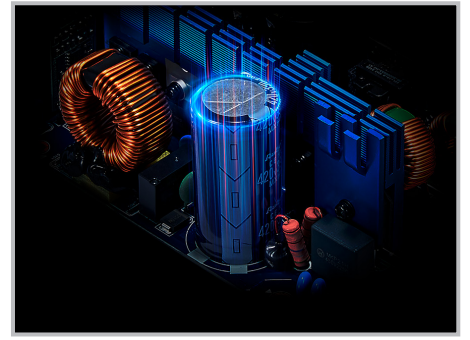
- **Compliance with ATX 3.1**
 - Adherence to the latest Intel ATX 3.1 specification.
 - CyberG II 750W/850W /1000W models provide one 600W native 12V- 2x6 connector. *Except to CyberG II 650W
- **Excellent Performance Meeting High-end Requirements**
 - 80 PLUS® Gold certified with 93% efficiency at 50% load, which saves more energy and reduces extra heat.
 - Accommodates up to 200% power excursion, catering to high-end GPU requirements.
- **Enhanced Durability**
 - Incorporates 100% industrial-grade Japanese capacitors, ensuring top-tier reliability.
- **Optimized Safety Design**
 - Optimized safety design, certified for 5000m altitude.
 - Multiple protection circuitries of OCP, OVP, UVP, OPP, SCP, and OTP.
- **Easy Installation**
 - Non-modular design makes installation worry-free.
 - Flexible black flat cables long enough to meet the needs of most sizes of cases.



ATX 3.1 & PCIe 5.1 Ready
Native 12V-2x6 Connector



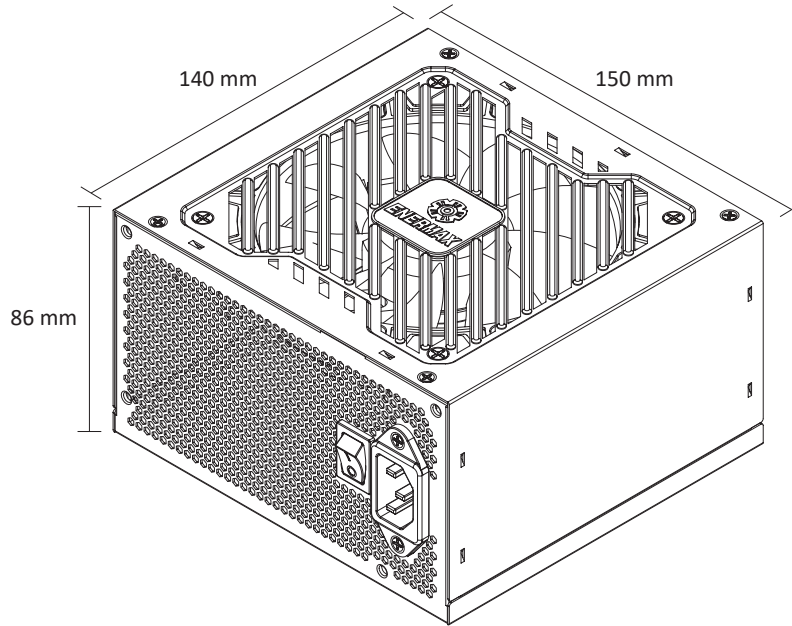
Non-modular Black Flat Cable Design



100% 105°C Japanese Capacitors

Dimension

Unit : mm



Cables & Connectors

Model	Connectors					
	Mainboard 24P	CPU 4+4P (8P)	12V-2x6 12+4P	PCIe 6+2P (8P)	SATA	4P Molex
650W	1	2	0	2	4	2
750W	1	2	1	2	5	3
850W	1	2	1	2	5	3
1000W	1	2	1	3	8	3

CyberG II (Bulk Pack Series)

Model	Connectors					
	Mainboard 24P	CPU 4+4P (8P)	12V-2x6 12+4P	PCIe 6+2P (8P)	SATA	4P Molex
650W	1	2	0	2	4	2
750W	1	2	1	3	6	3
850W	1	2	1	4	6	3
1000W	1	2	1	4	6	3

General Data

80 PLUS EFFICIENCY	GOLD
MODULAR	Non-Modular
CABLE TYPE	Black Flat Cable
FAN SIZE (MM)	120
OPERATING TEMPERATURE (°C)	40
MTBF (HOURS)	>100K
PROTECTION	OCP, OVP, UVP, OPP, OTP, SCP

Power Output

Model	ERV650G-AHG-NAV/C ERV650G-AHG-NAV1/C1	ERV750G-AHG-NV/C ERV750G-AHG-NAV1/C1	ERV850G-AHG-NAV/C ERV850G-AHG-NV1/C1	ERV1000G-AHG-NAV/C ERV1000G-AHG-NAV1/C1				
AC Input Voltage	100-240VAC, 50-60Hz			100-240VAC, 50-60Hz 200-240VAC, 50-60Hz (for China only)				
AC Input Current	10-6A			15-8A 8A (for China only)				
DC Output								
	Rated	Combined	Rated	Combined	Rated	Combined	Rated	Combined
+3.3V	20A	100W	20A	100W	20A	100W	20A	100W
+5V	20A		20A		20A		20A	
+12V	54.1A	649.2W	62.4A	748.8W	70.8A	849.6W	83.3A	999.6W
-12V	0.4A	4.8W	0.4A	4.8W	0.4A	4.8W	0.4A	4.8W
+5Vsb	2.5A	12.5W	2.5A	12.5W	2.5A	12.5W	3.0A	15W
Total power	650W		750W		850W		1000W	
Dimensions	140(D) x 150(W) x 86(H) mm							



Logistic Information

Model	ERV650G-AHG-NAV/C ERV650G-AHG-NAV1/C1	ERV750G-AHG-NV/C ERV750G-AHG-NAV1/C1	ERV850G-AHG-NAV/C ERV850G-AHG-NV1/C1	ERV1000G-AHG-NAV/C ERV1000G-AHG-NAV1/C1
Box Dimension	Retail Pack : 310 x 190 x 110 mm			
Gross Weight / Unit	1.3	1.5	1.5	TBD
Carton Dimension	Retail Pack : 640 x 460 x 220 mm Bulk Pack : 500 x 500 x 186 mm			
Q'ty / Carton	Retail Pack : 8 pcs Bulk Pack : 10 pcs			
Gross Weight / Carton	17.2	18.5	18.6	TBD

Bar code

CyberG II (Retail Pack)

Model	EAN	UPC
ERV650G-AHG-NAV/C	4713157728920	819315028926
ERV750G-AHG-NAV/C	4713157728944	819315028940
ERV850G-AHG-NAV/C	4713157728968	819315028964
ERV1000G-AHG-NAV/C	4713157728982	819315028988

CyberG II (Bulk Pack)

Model	EAN	UPC
ERV650G-AHG-NAV1/C1	4713157729019	819315029015
ERV750G-AHG-NAV1/C1	4713157729033	819315029039
ERV850G-AHG-NAV1/C1	4713157729057	819315029053
ERV1000G-AHG-NAV1/C1	4713157729392	819315029398