



# MAXPRO IV

550W | 650W | 750W

# MAXPRO IV



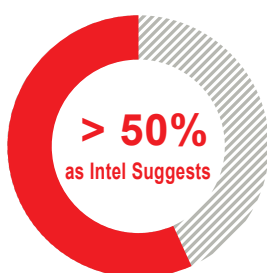
- *Non-Modular 80 PLUS® Standard Certified*
- *Japanese Primary Capacitor*
- *Premium Individually Mesh-Sleeved Cable*



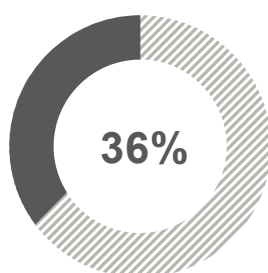
## Features

- **Easy Installation**
  - Non-modular design makes installation worry-free
  - Individually mesh-sleeved cables for better cable management and aesthetically optimized
- **Energy Conservation**
  - 80 PLUS® standard certified with 85% efficiency at 50% loading, which saves more energy and reduces extra heat
  - Better power factor performance with active PFC
- **High Quality**
  - The use of Japanese primary capacitor increases the PSU's lifespan
- **User Friendly**
  - Single rail +12V design makes GPU and CPU operate with less restriction to avoid shutting down from heavy usage
- **Safety**
  - Multiple protection circuitries of OVP, UVP, OPP, and SCP

PSU +5Vsb efficiency @ 0.045A load, 230VAC



ENERMAX 2013 ErP  
Lot 6 Compliant PSU



Non 2013 ErP Lot 6  
Compliant PSU

### 2014 & 2013 ErP ready!

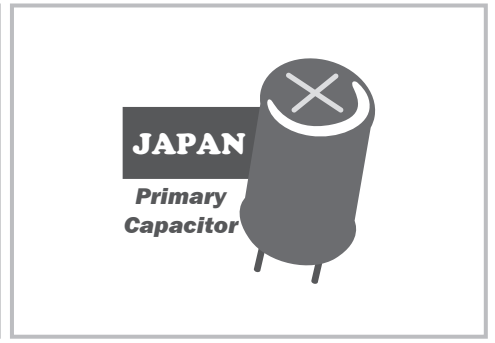
<0.5W power consumption at standby mode  
(with 2013 ErP Lot 6 enabled motherboard).  
Compliant with 2013 ErP Lot 6 & 2014 ErP  
Lot 3 standards.



Non-modular design



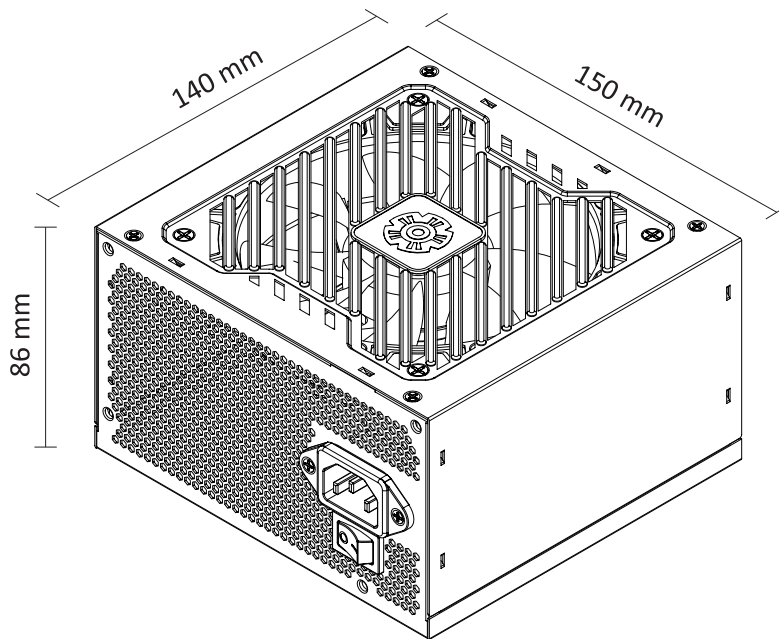
80 PLUS® Standard Certified



High quality Japanese primary capacitor

## Dimension

Unit : mm



## Cables & Connectors

Wattage	Total Connectors				
	Mainboard 24P	CPU 4+4P (8P)	PCI-E 6+2P (8P)	SATA	4P Molex
550W	1	1	2	3	2
650W	1	2	2	3	2
750W	1	2	4	3	2

# Specifications

## General Data

80 PLUS EFFICIENCY	Standard(230V)
MODULAR	Non-Modular
CABLE TYPE	Individually Mesh-Sleeved Cable
FAN SIZE (MM)	120
OPERATING TEMPERATURE (°C)	40
MTBF (HOURS)	>100K
PROTECTION	OVP, UVP, OPP, SCP

## Power Table

Model Name	EMP550W		EMP650W		EMP750W	
AC Input Voltage	200-240VAC, 50-60Hz					
AC Input Current	5A					
	DC Output					
	Rated	Combined	Rated	Combined	Rated	Combined
+3.3V	15A	100W	15A	100W	15A	100W
+5V	15A		15A		15A	
+12V	41A	492W	49A	588W	56A	672W
-12V	0.3A	3.6W	0.3A	3.6W	0.3A	3.6W
+5Vsb	2.5A	12.5W	2.5A	12.5W	2.5A	12.5W
Total Power	550W		650W		750W	
Dimensions	150(W) x 86(H) x 140(D)mm					



## Logistics Information

Model	EMP550W		EMP650W		EMP750W	
Barcode	EAN	4713157729101	4713157729118	4713157729125		
	UPC	819315029107	819315029114	819315029121		
Gross Weight / unit	1.69 kg		1.76 kg		1.83 kg	
Carton Dimension	495 x 545 x 215 mm					
Q'ty / Carton	8					
Gross Weight / carton	14.3 kg		14.9 kg		15.5 kg	