

Thermaltake AH T200 Micro Case

- **Style : Gaming**
- **Size : Micro Case supports up to M-ATX MB**
- **Material : Steel & Tempered Glass**

• *Main Feature*

- **Connection** : Top I/O ports with 2 x USB 3.0 & 1 x Type-C
- **Expansion** : 2 drive bays with modular drive trays design
- **Support** : AIO cooling solutions



Thermaltake AH T200 Micro Case

• Specification

Model	AH T200	AH T200 Snow
P/N	CA-1R4-00S1WN-00	CA-1R4-00S6WN-00
Case Type	Micro Case	
Chassis Dimension (H*W*D)	444.2 x 282 x 551.5 mm (17.5 x 11.1 x 21.7 inch)	
Net Weight	TBU kg / TBU lb	
Side Panel	Tempered Glass x 2	
Color	Black	Black & White
Material	SPCC	
Cooling System	N/A	
Drive Bays		
-Accessible	2 x 3.5" or 3 x 2.5"	
-Hidden	-	
Expansion Slots	5	
Motherboards	6.7" x 6.7" (Mini ITX), 9.6" x 9.6" (Micro ATX)	
I/O Port	Type-C x 1, USB 3.0 x 2, HD Audio x 1	
PSU	Standard PS2 PSU (optional)	
Fan Support	Front: 2 x 120mm or 1 x 120mm 2 x 140mm or 1 x 140mm Top: 2 x 120mm or 1 x 120mm 2 x 140mm or 1 x 140mm	
Radiator Support	Front: 1 x 240mm or 1 x 120mm 1 x 280mm or 1 x 140mm	
Clearance	CPU cooler max height: 150mm VGA max length: 320mm PSU max length: 180mm	

Thermaltake AH T200 Micro Case

•Packaging

Package Information	Black	White
EAN Code	4713227525732	4713227525749
UPC Code	841163075746	841163075753
N.W	TBU kg / TBU lb	
G.W	TBU kg / TBU lb	
Carton Size (L x W x H)	622 x 307 x 514mm / 24.5 x 12.1 x 20.2 inch	
Cuft	3.46	
Container	w/o pallet	
20'	280 pcs	
40'	588 pcs	
40' HQ	665 pcs	



Thermaltake AH T200 Micro Case

• Appearance – Window



Angle view



Left Side view



Front view



Right Side view



Bottom view



Rear view



Top view

Thermaltake AH T200 Micro Case

• Structure (External)



2 Tempered Glass Window

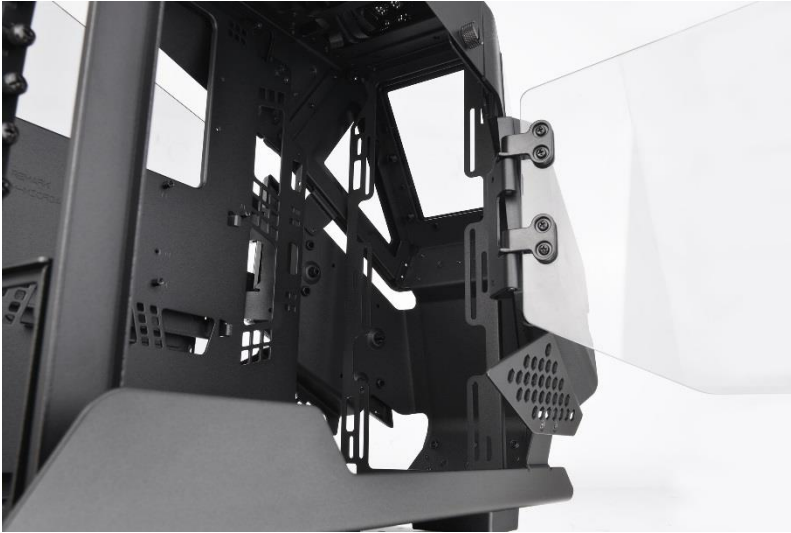
Hinged-door side panel design



USB Type-C connector

Thermaltake AH T200 Micro Case

• Structure (External)



Modular fan bracket

Horizontal VGA bracket



Stylish helicopter design

Thermaltake AH T200 Micro Case

- **Structure (Internal)**



2 x 3.5" HDD Bracket



3 x 2.5" HDD Bracket

Thermaltake AH T200 Snow Micro Case

• Appearance – Window



Angle view



Left Side view



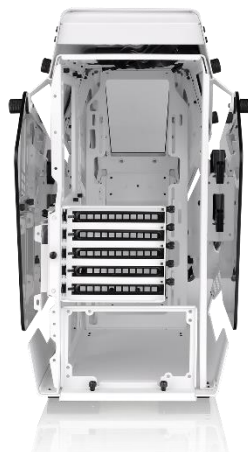
Front view



Right Side view



Bottom view



Rear view



Top view

Thermaltake AH T200 Snow Micro Case

• Structure (External)- Snow Edition



2 Tempered Glass Window

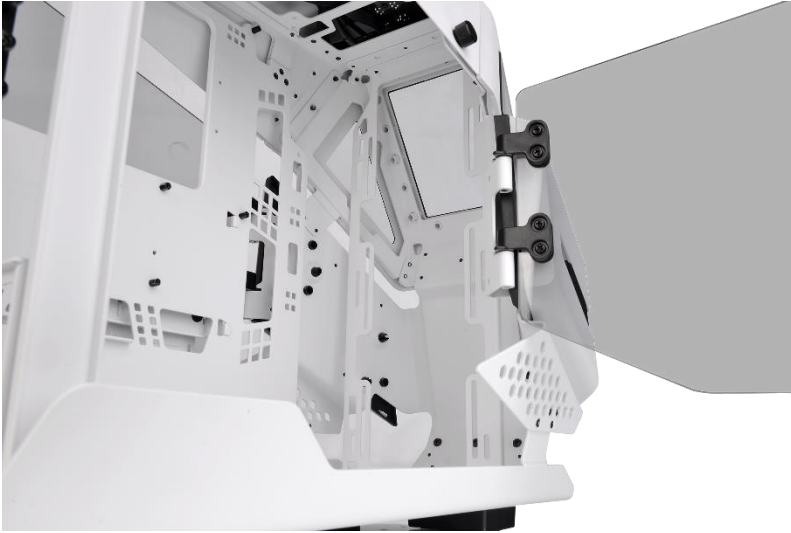
Hinged-door side panel design



USB Type-C connector

Thermaltake AH T200 Snow Micro Case

• Structure (External)



Modular fan bracket

Horizontal VGA bracket



Stylish helicopter design

Thermaltake AH T200 Snow Micro Case

- **Structure (Internal)**



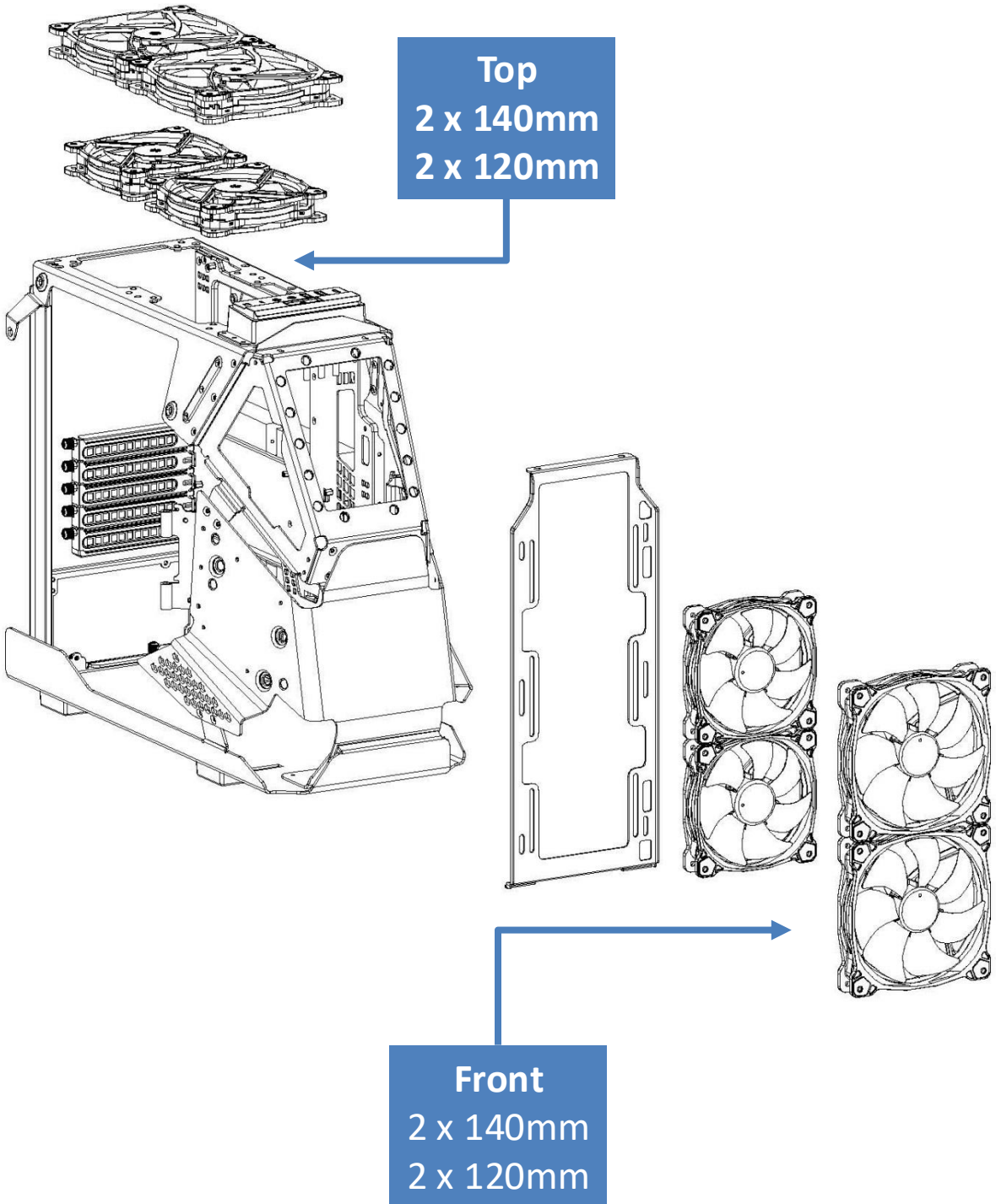
2 x 3.5" HDD Bracket



3 x 2.5" HDD Bracket

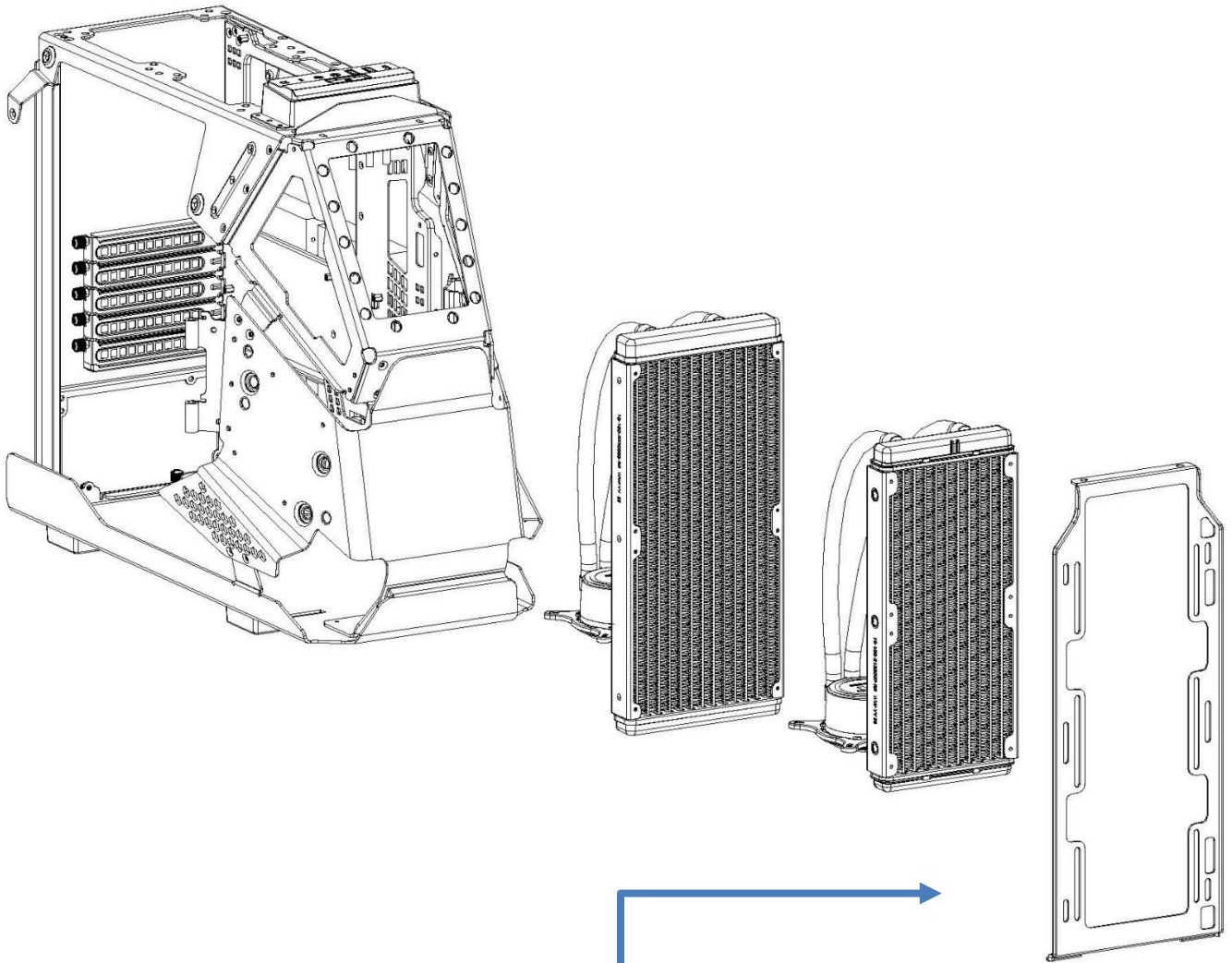
Thermaltake AH T200 Micro Case

•The Cooling System – Air Cooling



Thermaltake AH T200 Micro Case

•The Cooling System – AIO Liquid Cooling (Optional)



Front

2 x 140mm

2 x 120mm

Thermaltake AH T200 Micro Case

• Compatibility List

Fan Compatibility List

	120 mm	140 mm
Front	2	2
Top	2	2

All-in-One Compatibility List

	120mm	240mm	140mm	280mm
Front	●	●	●	●

